



SIRIUS soft starter 200-480 V 63 A, 110-250 V AC Screw terminals
Thermistor input

product brand name	SIRIUS
product category	Hybrid switching devices
product designation	Soft starter
product type designation	3RW52
manufacturer's article number	
<ul style="list-style-type: none"> • of standard HMI module usable • of high feature HMI module usable • of communication module PROFINET standard usable • of communication module PROFIBUS usable • of communication module Modbus TCP usable • of communication module Modbus RTU usable • of communication module Ethernet/IP • of circuit breaker usable at 400 V • of circuit breaker usable at 500 V • of circuit breaker usable at 400 V at inside-delta circuit • of circuit breaker usable at 500 V at inside-delta circuit • of the gG fuse usable up to 690 V • of the gG fuse usable at inside-delta circuit up to 500 V • of full range R fuse link for semiconductor protection usable up to 690 V • of back-up R fuse link for semiconductor protection usable up to 690 V 	<ul style="list-style-type: none"> 3RW5980-0HS00 3RW5980-0HF00 3RW5980-0CS00 3RW5980-0CP00 3RW5980-0CT00 3RW5980-0CR00 3RW5980-0CE00 3VA2163-7MN32-0AA0; Type of coordination 1, I_q = 65 kA, CLASS 10 3VA2163-7MN32-0AA0; Type of coordination 1, I_q = 20 kA, CLASS 10 3VA2110-7MN32-0AA0; Type of coordination 1, I_q = 65 kA, CLASS 10 3VA2110-7MN32-0AA0; Type of coordination 1, I_q = 20 kA, CLASS 10 3NA3830-6; Type of coordination 1, I_q = 65 kA 3NA3830-6; Type of coordination 1, I_q = 65 kA 3NE1022-0; Type of coordination 2, I_q = 65 kA 3NE8024-1; Type of coordination 2, I_q = 65 kA
General technical data	
starting voltage [%]	30 ... 100 %
stopping voltage [%]	50 ... 50 %
start-up ramp time of soft starter	0 ... 20 s
current limiting value [%] adjustable	130 ... 700 %
certificate of suitability	
<ul style="list-style-type: none"> • CE marking • UL approval • CSA approval 	<ul style="list-style-type: none"> Yes Yes Yes
product component is supported	
<ul style="list-style-type: none"> • HMI-Standard • HMI-High Feature 	<ul style="list-style-type: none"> Yes Yes
product feature integrated bypass contact system	Yes

number of controlled phases	3
trip class	CLASS 10A (default) / 10E / 20E; acc. to IEC 60947-4-2
buffering time in the event of power failure	
• for main current circuit	100 ms
• for control circuit	100 ms
insulation voltage rated value	600 V
degree of pollution	3, acc. to IEC 60947-4-2
impulse voltage rated value	6 kV
blocking voltage of the thyristor maximum	1 400 V
service factor	1
surge voltage resistance rated value	6 kV
maximum permissible voltage for safe isolation	
• between main and auxiliary circuit	600 V
utilization category acc. to IEC 60947-4-2	AC 53a
shock resistance	15 g / 11 ms, from 12 g / 11 ms with potential contact lifting
vibration resistance	15 mm to 6 Hz; 2g to 500 Hz
reference code acc. to IEC 81346-2	Q
product function	
• ramp-up (soft starting)	Yes
• ramp-down (soft stop)	Yes
• Soft Torque	Yes
• adjustable current limitation	Yes
• pump ramp down	Yes
• intrinsic device protection	Yes
• motor overload protection	Yes; Full motor protection (thermistor motor protection and electronic motor overload protection)
• evaluation of thermistor motor protection	Yes; Type A PTC or Klixon / Thermoclick
• inside-delta circuit	Yes
• auto-RESET	Yes
• manual RESET	Yes
• remote reset	Yes; By turning off the control supply voltage
• communication function	Yes
• operating measured value display	Yes; Only in conjunction with special accessories
• error logbook	Yes; Only in conjunction with special accessories
• via software parameterizable	No
• via software configurable	Yes
• PROFInergy	Yes; in connection with the PROFINET Standard communication module
• firmware update	Yes
• removable terminal for control circuit	Yes
• torque control	No
• analog output	No
Power Electronics	
operational current	
• at 40 °C rated value	63 A
• at 50 °C rated value	55.5 A
• at 60 °C rated value	50.5 A
operational current at inside-delta circuit	
• at 40 °C rated value	109 A
• at 50 °C rated value	96 A
• at 60 °C rated value	87.5 A
operating voltage	
• rated value	200 ... 480 V
• at inside-delta circuit rated value	200 ... 480 V
relative negative tolerance of the operating voltage	-15 %
relative positive tolerance of the operating voltage	10 %
relative negative tolerance of the operating voltage at inside-delta circuit	-15 %
relative positive tolerance of the operating voltage at	10 %

inside-delta circuit	
operating power for 3-phase motors	
• at 230 V at 40 °C rated value	18.5 kW
• at 230 V at inside-delta circuit at 40 °C rated value	30 kW
• at 400 V at 40 °C rated value	30 kW
• at 400 V at inside-delta circuit at 40 °C rated value	55 kW
Operating frequency 1 rated value	50 Hz
Operating frequency 2 rated value	60 Hz
relative negative tolerance of the operating frequency	-10 %
relative positive tolerance of the operating frequency	10 %
adjustable motor current	
• at rotary coding switch on switch position 1	25.5 A
• at rotary coding switch on switch position 2	28 A
• at rotary coding switch on switch position 3	30.5 A
• at rotary coding switch on switch position 4	33 A
• at rotary coding switch on switch position 5	35.5 A
• at rotary coding switch on switch position 6	38 A
• at rotary coding switch on switch position 7	40.5 A
• at rotary coding switch on switch position 8	43 A
• at rotary coding switch on switch position 9	45.5 A
• at rotary coding switch on switch position 10	48 A
• at rotary coding switch on switch position 11	50.5 A
• at rotary coding switch on switch position 12	53 A
• at rotary coding switch on switch position 13	55.5 A
• at rotary coding switch on switch position 14	58 A
• at rotary coding switch on switch position 15	60.5 A
• at rotary coding switch on switch position 16	63 A
• minimum	25.5 A
adjustable motor current	
• for inside-delta circuit at rotary coding switch on switch position 1	44.2 A
• for inside-delta circuit at rotary coding switch on switch position 2	48.5 A
• for inside-delta circuit at rotary coding switch on switch position 3	52.8 A
• for inside-delta circuit at rotary coding switch on switch position 4	57.2 A
• for inside-delta circuit at rotary coding switch on switch position 5	61.5 A
• for inside-delta circuit at rotary coding switch on switch position 6	65.8 A
• for inside-delta circuit at rotary coding switch on switch position 7	70.1 A
• for inside-delta circuit at rotary coding switch on switch position 8	74.5 A
• for inside-delta circuit at rotary coding switch on switch position 9	78.8 A
• for inside-delta circuit at rotary coding switch on switch position 10	83.1 A
• for inside-delta circuit at rotary coding switch on switch position 11	87.5 A
• for inside-delta circuit at rotary coding switch on switch position 12	91.8 A
• for inside-delta circuit at rotary coding switch on switch position 13	96.1 A
• for inside-delta circuit at rotary coding switch on switch position 14	100 A
• for inside-delta circuit at rotary coding switch on switch position 15	105 A
• for inside-delta circuit at rotary coding switch on switch position 16	109 A
• at inside-delta circuit minimum	44.2 A

minimum load [%]	15 %; Relative to smallest settable le
power loss [W] for rated value of the current at AC	
• at 40 °C after startup	31 W
• at 50 °C after startup	29 W
• at 60 °C after startup	27 W
power loss [W] at AC at current limitation 350 %	
• at 40 °C during startup	882 W
• at 50 °C during startup	744 W
• at 60 °C during startup	659 W
Control circuit/ Control	
type of voltage of the control supply voltage	AC
• control supply voltage at AC at 50 Hz	110 ... 250 V
• control supply voltage at AC at 60 Hz	110 ... 250 V
relative negative tolerance of the control supply voltage at AC at 50 Hz	-15 %
relative positive tolerance of the control supply voltage at AC at 50 Hz	10 %
relative negative tolerance of the control supply voltage at AC at 60 Hz	-15 %
relative positive tolerance of the control supply voltage at AC at 60 Hz	10 %
control supply voltage frequency	50 ... 60 Hz
relative negative tolerance of the control supply voltage frequency	-10 %
relative positive tolerance of the control supply voltage frequency	10 %
control supply current in standby mode rated value	30 mA
holding current in bypass operation rated value	75 mA
locked-rotor current at close of bypass contact maximum	2.5 A
inrush current peak at application of control supply voltage maximum	12.2 A
duration of inrush current peak at application of control supply voltage	2.2 ms
design of the overvoltage protection	Varistor
design of short-circuit protection for control circuit	4 A gG fuse (Icu=1 kA), 6 A quick-acting fuse (Icu=1 kA), C1 miniature circuit breaker (Icu= 600 A), C6 miniature circuit breaker (Icu= 300 A); Is not part of scope of supply
Inputs/ Outputs	
number of digital inputs	1
number of inputs for thermistor connection	1; Type A PTC or Klixon / Thermoclick
number of digital outputs	3
• not parameterizable	2
digital output version	2 normally-open contacts (NO) / 1 changeover contact (CO)
number of analog outputs	0
switching capacity current of the relay outputs	
• at AC-15 at 250 V rated value	3 A
• at DC-13 at 24 V rated value	1 A
Installation/ mounting/ dimensions	
mounting position	+/- 10° rotation possible and can be tilted forward or backward on vertical mounting surface
fastening method	screw fixing
height	306 mm
width	185 mm
depth	203 mm
required spacing with side-by-side mounting	
• forwards	10 mm
• backwards	0 mm
• upwards	100 mm
• downwards	75 mm
• at the side	5 mm

weight without packaging	5.6 kg
Connections/ Terminals	
type of electrical connection	box terminal screw-type terminals
<ul style="list-style-type: none"> for main current circuit for control circuit 	
width of connection bar maximum	25 mm
wire length for thermistor connection	
<ul style="list-style-type: none"> with conductor cross-section = 0.5 mm² maximum with conductor cross-section = 1.5 mm² maximum with conductor cross-section = 2.5 mm² maximum 	50 m 150 m 250 m
type of connectable conductor cross-sections	
<ul style="list-style-type: none"> for main contacts for box terminal using the front clamping point solid for main contacts for box terminal using the front clamping point finely stranded with core end processing for main contacts for box terminal using the front clamping point stranded at AWG cables for main contacts for box terminal using the front clamping point for main contacts for box terminal using the back clamping point solid at AWG cables for main contacts for box terminal using the back clamping point for main contacts for box terminal using both clamping points solid for main contacts for box terminal using both clamping points finely stranded with core end processing for main contacts for box terminal using both clamping points stranded for main contacts for box terminal using the back clamping point finely stranded with core end processing for main contacts for box terminal using the back clamping point stranded 	1x (2.5 ... 16 mm ²) 1x (2.5 ... 50 mm ²) 1x (10 ... 70 mm ²) 1x (10 ... 2/0) 1x (2.5 ... 16 mm ²) 1x (10 ... 2/0) 2x (2.5 ... 16 mm ²) 2x (2.5 ... 35 mm ²) 2x (6 ... 16 mm ²), 2x (10 ... 50 mm ²) 1x (2.5 ... 50 mm ²) 1x (10 ... 70 mm ²)
type of connectable conductor cross-sections	
<ul style="list-style-type: none"> for control circuit solid for control circuit finely stranded with core end processing at AWG cables for control circuit solid 	1x (0.5 ... 4.0 mm ²), 2x (0.5 ... 2.5 mm ²) 1x (0.5 ... 2.5 mm ²), 2x (0.5 ... 1.5 mm ²) 1x (20 ... 12), 2x (20 ... 14)
wire length	
<ul style="list-style-type: none"> between soft starter and motor maximum at the digital inputs at AC maximum 	800 m 100 m
tightening torque	
<ul style="list-style-type: none"> for main contacts with screw-type terminals for auxiliary and control contacts with screw-type terminals 	4.5 ... 6 N·m 0.8 ... 1.2 N·m
tightening torque [lbf·in]	
<ul style="list-style-type: none"> for main contacts with screw-type terminals for auxiliary and control contacts with screw-type terminals 	40 ... 53 lbf·in 7 ... 10.3 lbf·in
Ambient conditions	
installation altitude at height above sea level maximum	5 000 m; Derating as of 1000 m, see catalog
<ul style="list-style-type: none"> ambient temperature during operation ambient temperature during storage and transport 	-25 ... +60 °C; Please observe derating at temperatures of 40 °C or above -40 ... +80 °C
environmental category	
<ul style="list-style-type: none"> during operation acc. to IEC 60721 during storage acc. to IEC 60721 during transport acc. to IEC 60721 	3K6 (no ice formation, only occasional condensation), 3C3 (no salt mist), 3S2 (sand must not get into the devices), 3M6 1K6 (only occasional condensation), 1C2 (no salt mist), 1S2 (sand must not get inside the devices), 1M4 2K2, 2C1, 2S1, 2M2 (max. fall height 0.3 m)

EMC emitted interference	acc. to IEC 60947-4-2: Class A
Communication/ Protocol	
communication module is supported	
<ul style="list-style-type: none"> ● PROFINET standard ● EtherNet/IP ● Modbus RTU ● Modbus TCP ● PROFIBUS 	<p>Yes</p> <p>Yes</p> <p>Yes</p> <p>Yes</p> <p>Yes</p>
UL/CSA ratings	
manufacturer's article number	
<ul style="list-style-type: none"> ● of circuit breaker <ul style="list-style-type: none"> — usable for Standard Faults at 460/480 V according to UL — usable for High Faults at 460/480 V according to UL — usable for Standard Faults at 460/480 V at inside-delta circuit according to UL — usable for High Faults at 460/480 V at inside-delta circuit according to UL — usable for Standard Faults at 575/600 V according to UL — usable for Standard Faults at 575/600 V at inside-delta circuit according to UL ● of the fuse <ul style="list-style-type: none"> — usable for Standard Faults up to 575/600 V according to UL — usable for High Faults up to 575/600 V according to UL — usable for Standard Faults at inside-delta circuit up to 575/600 V according to UL — usable for High Faults at inside-delta circuit up to 575/600 V according to UL 	<p>Siemens type: 3RV2742, max. 70 A or 3VA51, max. 125 A; Iq = 10 kA</p> <p>Siemens type: 3VA51, max. 125 A; Iq max = 65 kA</p> <p>Siemens type: 3VA51, max. 125 A; Iq = 10 kA</p> <p>Siemens type: 3VA51, max. 125 A; Iq max = 65 kA</p> <p>Siemens type: 3RV2742, max. 70 A or 3VA51, max. 125 A; Iq = 10 kA</p> <p>Siemens type: 3VA51, max. 125 A; Iq = 10 kA</p> <p>Type: Class RK5 / K5, max. 200 A; Iq = 10 kA</p> <p>Type: Class J / L, max. 225 A; Iq = 100 kA</p> <p>Type: Class RK5 / K5, max. 200 A; Iq = 10 kA</p> <p>Type: Class J / L, max. 225 A; Iq = 100 kA</p>
operating power [hp] for 3-phase motors	
<ul style="list-style-type: none"> ● at 200/208 V at 50 °C rated value ● at 220/230 V at 50 °C rated value ● at 460/480 V at 50 °C rated value ● at 200/208 V at inside-delta circuit at 50 °C rated value ● at 220/230 V at inside-delta circuit at 50 °C rated value ● at 460/480 V at inside-delta circuit at 50 °C rated value 	<p>15 hp</p> <p>20 hp</p> <p>40 hp</p> <p>30 hp</p> <p>30 hp</p> <p>75 hp</p>
contact rating of auxiliary contacts according to UL	R300-B300
Safety related data	
protection class IP on the front acc. to IEC 60529	IP00; IP20 with cover
touch protection on the front acc. to IEC 60529	finger-safe, for vertical contact from the front with cover
electromagnetic compatibility	in accordance with IEC 60947-4-2
Certificates/ approvals	
General Product Approval	EMC



Declaration of Conformity

Test Certificates

Marine / Shipping



EG-Konf.

[Miscellaneous](#)

[Type Test
Certificates/Test
Report](#)



ABS



LRS



PRS

Marine / Shipping

other



[Confirmation](#)

[Confirmation](#)

Further information

Information- and Downloadcenter (Catalogs, Brochures,...)

<https://www.siemens.com/ic10>

Industry Mall (Online ordering system)

<https://mall.industry.siemens.com/mall/en/en/Catalog/product?mlfb=3RW5225-1TC14>

Cax online generator

<http://support.automation.siemens.com/WW/CAXorder/default.aspx?lang=en&mlfb=3RW5225-1TC14>

Service&Support (Manuals, Certificates, Characteristics, FAQs,...)

<https://support.industry.siemens.com/cs/ww/en/ps/3RW5225-1TC14>

Image database (product images, 2D dimension drawings, 3D models, device circuit diagrams, EPLAN macros, ...)

http://www.automation.siemens.com/bilddb/cax_de.aspx?mlfb=3RW5225-1TC14&lang=en

Characteristic: Tripping characteristics, I²t, Let-through current

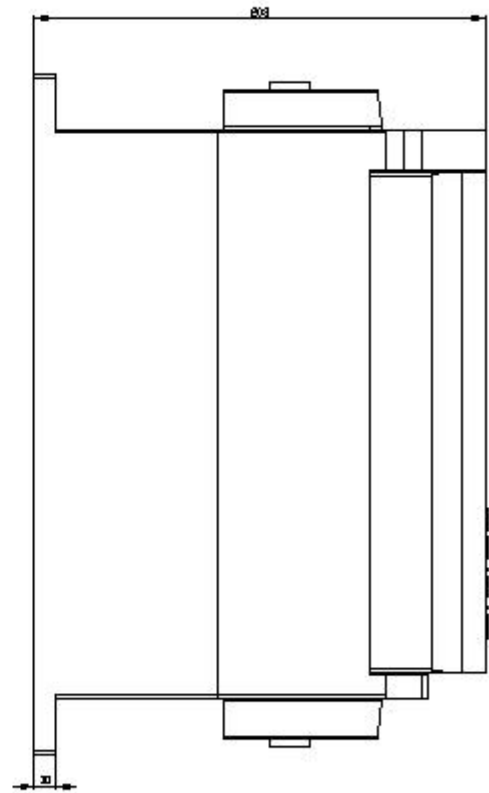
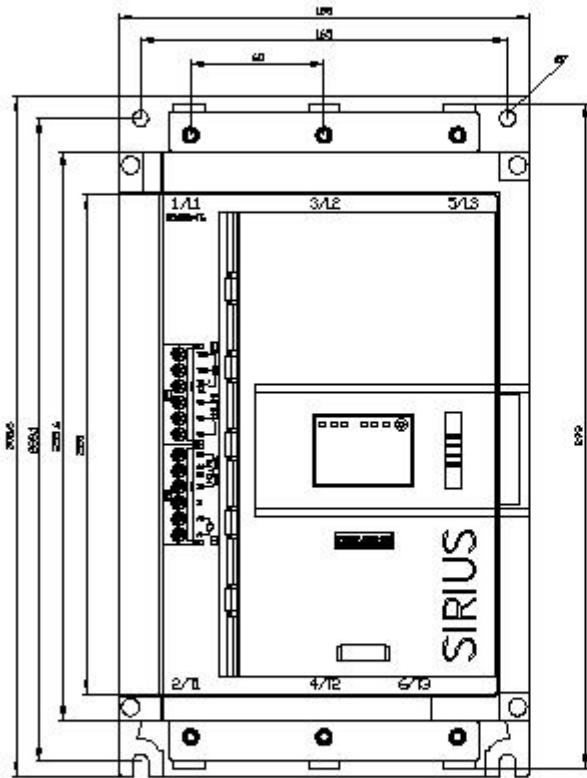
<https://support.industry.siemens.com/cs/ww/en/ps/3RW5225-1TC14/char>

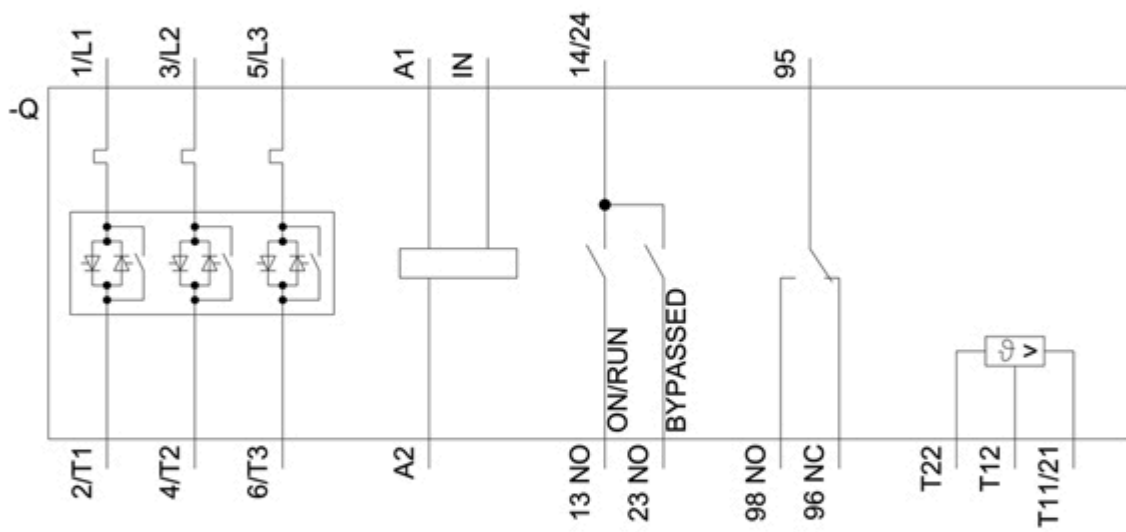
Characteristic: Installation altitude

<http://www.automation.siemens.com/bilddb/index.aspx?view=Search&mlfb=3RW5225-1TC14&objecttype=14&gridview=view1>

Simulation Tool for Soft Starters (STS)

<https://support.industry.siemens.com/cs/ww/en/view/101494917>





last modified:

12/15/2020 